

CPD.12.300 Series Biological Microscope





Perfect Optical System

- High resolution and perfect definition from infinity correct optical system
- 100X water objective instead of 100X oil objective, more be convenient for using

Perfect Appearance Design

- Drop-style integrated appearance design, looks elegant

Perfect Ergonomics Design

- Low position operation, convenient for long-term using
- New wound device for cable, easy to move and keeping
- The changing of objectives can be watched by back side through the back watching window

Standard Set Specification

Specification	CPD.12.300B	CPD.12.300T	CPD.12.300BIPL	CPD.12.300TIPL
	Binocular	Trinocular	Binocular	Trinocular
Viewing Head	Seidentopf Head, Inclined 30°, Rotatable 360°, Interpupillary Distance: 50-75mm, Diopter Adjustable			
Eyepiece	WF10x/20mm, High Eyepoint			
Nosepiece	Quadruple			
Objective	Infinity E-Plan Achromatic Objective 4x,/0.10, 10x,/0.25, 40x,/0.65 (S), 100x,/1.25 (S,Oil)		Infinity Plan Achromatic Objective 4x,/0.10, 10x,/0.25, 40x,/0.65 (S), 100x,/1.25 (S,Oil)	
Working Stage	Mechanical Stage Size 125*120mm, Travel Range:76*30mm, Scale: 0.1mm			
Condenser	Abbe Condenser N.A.1.25, With iris Diaphragm			
Focusing	Coarse Focusing Travel Range: 25mm Fine Focusing Travel Range: 2μm / division			
Illumination	Aspheric Illumination, 3W LED			
Attachment	Wire Winding Device			



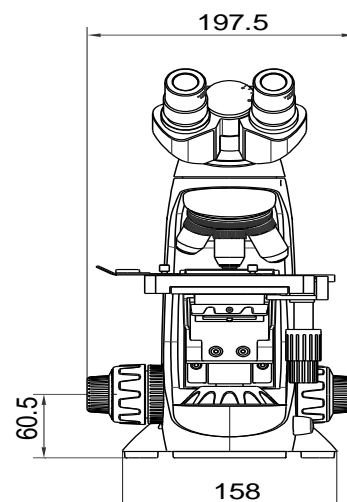
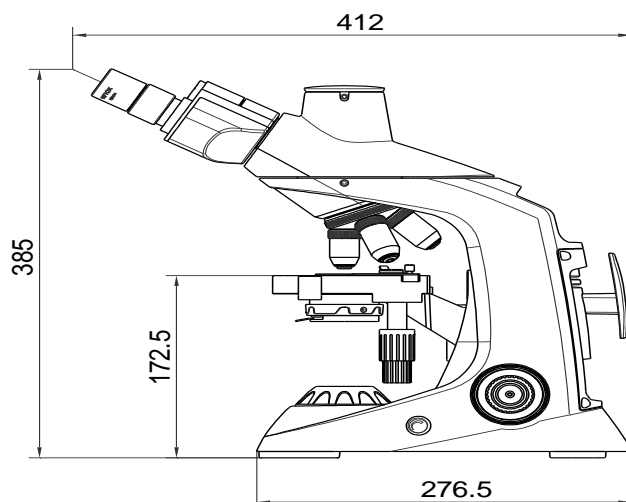
100× Water objective


 Simple polarizing unit
 Polarizer, analyzer for simple polarizing unit

 Dark filed unit available
 for 4× ~ 40× objective

Optional Accessory

Eyepiece	WF10x/20mm High Eyepoint, Reticle 0.1mm
	WF10x/20mm High Eyepoint, Reticle 0.1mm, Focus Adjustable
	WF16x/13mm
	16X/ 9mm (Huygoens)
Infinity Plan Achromatic Objective	20X/0.40(S)
	60X/0.80(S)
	100X/1.15(S, Water)
Working Stage	Mechanical Stage Size 145*140mm, Travel Range:76*52mm, Scale: 0.1mm, Double Slide Holder
Dark Field	Dark Field Condenser, Dry, N.A.0.9
Polarizing	Analyzer & Polarizer
Adapter	1× C-mount (Available for Digital Photography)
	0.5× C-mount (Available for Digital Camera, Focus adjustable)
Filter	Blue/ Green/ Yellow





www.ningbomicroscope.com



Carring Hole on Back
For easy to carry and move microscope,
to view objective change from back





If you like to view more models and accessories, please visit our web: www.ningbomicroscope.com & www.hyoec.com